

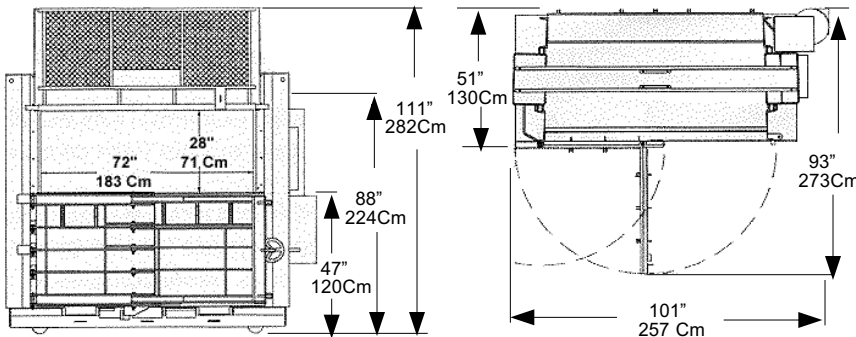
# Ver-tech Model V-7240 *Low Profile* High Performance Baler

With the Ver-tech V-7240, you can bale 2 to 4 times more cardboard per hour than with any other vertical downstroke baler on the market today. The huge 72" x 40" x 68" baling chamber eliminates the labor needed to cut down or flatten most large boxes. The 10 retractable and 23 fixed bale dogs effectively eliminate springback of cardboard into the loading chamber so you can continue baling at full capacity. The 20 HP motor, heavy duty vane pump and regenerative hydraulic circuit make the V-7240 cycle twice as fast as standard mill-size balers. Two 5" bore cylinders generate over 98,000 pounds of force to produce dense bales weighing up to 1,300 pounds. Mounted on heavy duty casters with its space saving design, the V-7240 can easily be located where your scrap cardboard is produced. Double safety interlocks including both an electromechanical limit switch and a photocell system make the V-7240 an extremely safe baler. All electrical components and enclosures are UL Listed or approved, and the baler meets or exceeds all OSHA and ANSI standards for baling equipment. If you want to cut your baling labor at least in half, then the Ver-tech V-7240 is the baler for you.



## Ver-tech V-7240 Specifications

Bale Size . . . . .	40" x 72" x up to 40"
Bale Weight (OCC) . . . . .	Up to 1,300 lbs.
Total Ram Force . . . . .	98,175 lbs.
Platen Pressure (Max.) . . . . .	35.5 PSI
Cycle Time . . . . .	24 Seconds
Motor . . . . .	20 HP TEFC
Pump . . . . .	13 GPM Vane Pump
Hydraulic Circuit . . . . .	Regenerative
Cylinders . . . . .	Two 5" Bore with 3" Rods
Bale Dogs . . . . .	10 Retractable, 23 fixed
Voltage . . . . .	208/230/460 Volts 3 Phase 60 Hz
Controls . . . . .	110 Volt 1 Phase
<b>DIMENSIONS:</b>	
Loading Door Opening . . . . .	28" x 72"
Loading Height . . . . .	47"
Overall Height . . . . .	81.5"
Operating Height . . . . .	111"
Overall Depth . . . . .	51"
Operating Depth . . . . .	93"
Overall Width . . . . .	101"
Operating Width . . . . .	120"
Shipping Weight . . . . .	6,340 lbs.



**SAFETY FEATURES:** Meets ANSI Z245.5 "Safety Requirements for Baling." Meets all Federal OSHA standards. UL Listed Electrical Components and Power Control Panels.



**Ver-tech Inc.**  
6801 Bleck Drive • Rockford, Minnesota 55373  
Telephone (763) 559-2590 TOLL FREE (800) 328-3398  
FAX (763) 559-1438  
For more information, visit us at <http://www.ver-tech.com>