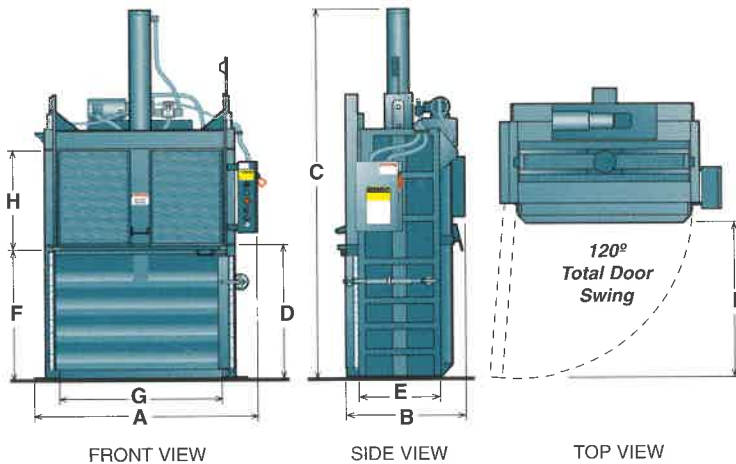


V-6030 & V-4830 VERTICAL BALERS



Dimensional Data:

	V-6030	V-4830
A Overall width	80" (2032mm)	68" (1727mm)
B Overall Depth	46 1/2" (1181mm)	46 1/2" (1181mm)
C Overall Height	139" (3531mm)	139" (3531mm)
D Feed Height	50" (1270mm)	50" (1270mm)
E Bale Chamber Depth	30" (762mm)	30" (762mm)
F Bale Chamber Height	44" (1118mm)	44" (1118mm)
G Loading Opening Width	60" (1524mm)	48" (1219mm)
H Loading Opening Height	24" (610mm)	24" (610mm)
I Bale Door Clearance	61" (1549mm)	49" (1245mm)
Baler weight	4500 lbs. (2041kg)	4050 lbs. (1837kg)

Performance Data:

Baler is **Totally UL Listed**

Cylinder Bore	6" (152mm)	6" (152mm)
Cylinder Stroke	48" (1219mm)	48" (1219mm)
Pump	13 gpm (49 l/min)	13 gpm (49 l/min)
Motor	10 hp (7.5 kW)	10 hp (7.5 kW)
System Pressure	1700 psi (11.7 MPa)	1700 psi (11.7 MPa)
Platen Force (lbs.)	48,100 lbs. (214kN)	48,100 lbs. (214kN)
Platen Force (psi)	28.6 psi (197 kPa)	36.1 psi (249 kPa)
Cycle Time (sec.)	47 seconds	47 seconds
Control Voltage	120 VAC	120 VAC
Electrical	208/230/460 3 phase	

Bale Size:

Bale Width	60" (1524mm)	48" (1219mm)
Bale Depth	30" (762mm)	30" (762mm)
Bale Height	48" (1219mm)	48" (1219mm)
Bale Weight (OCC)	up to 1,100 lbs. (499 kg)	up to 900 lbs. (408 kg)
Bale Ties	(6) 14 ga. X 14'	(4) 14 ga. X 14'

Visit our web site: www.marathon-equipment.com



MARATHON EQUIPMENT COMPANY

P.O. Box 1798 • Vernon, AL 35592-1798 USA • (205) 695-9105 fax (205) 695-7250 **1-800-633-8974**
 130 Hwy. 339 • Yerington, NV 89447 USA • (702) 463-4030 fax (702) 463-4531 **1-800-624-5724**
 901 Industrial Park Rd. • Clearfield, PA 16830 USA • (814) 765-0200 fax (814) 765-2072 **1-800-922-7062**
 130 Bridgeland Ave. • Unit 210 • Toronto, Ontario • Canada • M6A 1Z4 fax (814) 765-2072 **1-814-765-0200**



Authorized Distributor:



"Interlock system OK" light

Key Operated commercial grade controls for protection against unauthorized use.

Lockable Service Disconnect: Power-On Lockout reduces installation cost.

Automatic Shutdown/Bale Made Light signals completion of bale--assuring correct and consistent sizing.

▼ Exclusive **MARATHON HY/PRESS® Hydraulic-Electric Power Unit**. The HY/PRESS cycle forces the platen to dwell against the material, trapping springback to improve bale weight.

▼ **Efficient 10 H.P. Rapid Torque Motor**: produces 15% more horsepower.

Quiet Running Vane Pump: made of durable cast iron and rigidly secured to the motor with machined bracket for assured coupling alignment.

Manifold Mounted Valve: reduces hydraulic connections.



▼ "Easy-Grip" Wheeled Ratchet for controlled opening of Bale Chamber Door.

▼ **Replaceable High Density Polyethylene Guides** – absorb side thrust

▼ Graphite impregnated "No-Lube" Cast Iron Platen Guidance.

▼ Cylinder rod locking collar constructed with **Heavy Duty 1-1/2" C-1045 pin** for extra strength.

▼ **Structural Lifting Lugs** (six places) for ease of movement.



Pictures in this literature are illustrative only. Specifications are subject to change without notice in order to accommodate improvements to the equipment. Certified in compliance with ANSI Regulation Z245.5 as well as applicable codes and regulations. Products must be used with safe practice and in accordance with said regulations and standards.