

Harris/Selco Vertical Balers



- ✦ A broad range of balers to fulfill your specific needs
- ✦ Bales Corrugated, Plastic, Newspaper, and other non-ferrous materials
- ✦ Reduces waste and associated disposal costs
- ✦ "Time under Pressure" produces a denser bale
- ✦ Meets or exceeds ANSI Z245.5
- ✦ Baler design ensures operator safety
- ✦ Smooth vane-type hydraulic pump
- ✦ TEFC high efficiency motor
- ✦ Expert installation available
- ✦ UL® and CUL® listed panels
- ✦ Easy to operate
- ✦ Operator safety video included to ensure safe operation
- ✦ Soft-shift shockless hydraulic circuit provides longer life
- ✦ Full hinge on main door provides durability
- ✦ Semi-automatic bale ejection for easy bale ejection
- ✦ Adjustable bale sizing on all models (3"-6" height range)
- ✦ Authorized Distributors provide local sales and service

Sales & Service:



Harris
Waste Management Group, Inc.

200 Clover Reach Drive
Peachtree City, GA 30269

(800) 373-9131 • (770) 631-7290 • (770) 631-7299 FAX

Harris/Selco Vertical Balers

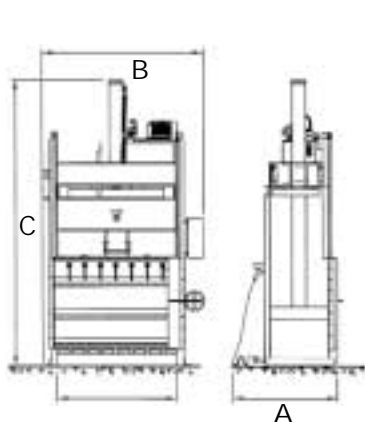


Model Name	V-2.5	V-3 *	V4-HD *	V5-SLP *	V5-R *	V5-HD *	V5-XHD	V-6 *	VS-6M *	VS-6
Bale Size , in balerLength: in.(cm)	30 (76.2)	36 (91.4)	48 (121.9)	60 (152.4)	60 (152.4)	60 (152.4)	60 (152.4)	72 (182.9)	72 (182.9)	72 (182.9)
Width: in.(cm)	18 (45.7)	23.5 (59.7)	30 (76.2)	30 (76.2)	30 (76.2)	30 (76.2)	30 (76.2)	30 (76.2)	42 (106.7)	40 (101.6)
Height: in.(cm)	30 (76.2)	32 (81.3)	48 (121.9)	33 (83.8)	48 (121.9)	48 (121.9)	48 (121.9)	48 (121.9)	48 (121.9)	48 (121.9)
Bale Weight (OCC) (lb)	75-125	150-250	600-900	600-700	900-1000	900-1100	1350-1450	900-1200	900-1300	1200-1500
(kg)	(34-57)	(68-113)	(272-408)	(272-318)	(408-454)	(408-499)	(612-658)	(408-544)	(408-590)	(544-771)
Cycle Time No Load (sec)	39	43	50	29	50	50	71	50	50	51
Motor Horsepower	1.5	5	10	10	10	10	15	10	10	20
Hydraulic Pressure (Max) (psi)	1,600	1,600	1,800	1,600	1,600	1,800	2,200	1,800	1,800	1,800
(BAR)	(110)	(110)	(124)	(110)	(110)	(124)	(152)	(124)	(124)	(124)
Platen Force Maximum (lb)	7,850	20,100	51,000	45,239	45,200	51,200	84,666	51,000	51,000	69,272
(kg)	(3,561)	(9,117)	(23,133)	(20,520)	(20,503)	(23,224)	(38,404)	(23,133)	(23,133)	(31,421)
Main Cylinder Bore: in.(cm)	2.5 (6.4)	4 (10.2)	6 (15.2)	6 (15.2)	6 (15.2)	6 (15.2)	7 (17.8)	6 (15.2)	6 (15.2)	7 (17.8)
Stroke: in.(cm)	27 (68.6)	36 (91.4)	48 (121.9)	27 (68.6)	48 (121.9)	48 (121.9)	48 (121.9)	48 (121.9)	48 (121.9)	54 (137.2)
Hydraulic Pump Capacity gpm(lpm)	1.5 (5.7)	4.5 (17)	12 (45.4)	12 (45.4)	12 (45.4)	12 (45.4)	12 (45.4)	12 (45.4)	12 (45.4)	18 (68.1)
Oil Reservoir Capacity gal(L)	2 (7.6)	5.5 (20.8)	18 (68.1)	12 (45.4)	18 (68.1)	18 (68.1)	44 (166.6)	18 (68.1)	18 (68.1)	62 (234.7)
Feed Opening Width: in.(cm)	30 (76.2)	36 (91.4)	48 (121.9)	60 (152.4)	60 (152.4)	60 (152.4)	60 (152.4)	72 (182.9)	72 (182.9)	72 (182.9)
Height: in.(cm)	16.5 (41.9)	18 (45.7)	27 (68.6)	19.5 (49.5)	27 (68.6)	27 (68.6)	24 (61)	25 (63.5)	32 (81.3)	36 (91.4)
Shipping Weight (lb)	1,050	1,800	4,000	3,860	3,800	4,300	6,500	5,500	6,500	9,500
(kg)	(476)	(817)	(1,814)	(1,751)	(1,724)	(1,950)	(2,948)	(2,495)	(2,948)	(4,309)

* Entire Baler UL® listed

Performance Rates, Bale Weights, and Bale Densities are Subject to Moisture Content, Material Pre-bale Densities, Feed Rates, and Other Variables in Baling.

(SPECIFICATIONS ARE SUBJECT TO CHANGE WITHOUT NOTICE)



Dimensions in. (cm)

Model	A	B	C
V-2.5	32.9 (83.5)	47.1 (119.7)	91.3 (231.8)
V-3	32.6 (82.9)	50 (127)	104.3 (264.8)
V4-HD	43 (109.2)	68 (172.7)	145 (368.3)
V5-SLP	43.8 (111.3)	78 (198.1)	95.1 (241.6)
V5-HD	43 (109.2)	80 (203.2)	144.6 (367.3)
V5-R	43 (109.2)	80 (203.2)	145.1 (368.6)
V5-XHD	42.1 (107)	81 (205.7)	151 (383.5)
V-6	44.8 (113.7)	89 (226)	144.1 (366.1)
VS-6M	57 (144.8)	89 (226)	151.5 (384.8)
VS-6	50 (127)	91.5 (232.4)	167.5 (425.5)

Dimensions in. (cm)

Model	D	E	F	G
V-2.5	18 (46)	24 (61)	64 (162)	9 (23)
V-3	18 (46)	24 (61)	66 (168)	7 (17)
V4-HD	18 (46)	24 (61)	91 (230)	7 (17)
V5-SLP	18 (46)	24 (61)	100 (253)	7 (17)
V5-HD	18 (46)	24 (61)	102 (258)	10 (25)
V5-R	18 (46)	24 (61)	101 (257)	11 (29)
V5-XHD	18 (46)	24 (61)	101 (257)	11 (29)
V-6	18 (46)	24 (61)	109 (277)	9 (23)
VS-6M	18 (46)	24 (61)	121 (307)	9 (23)
VS-6	18 (46)	24 (61)	119 (303)	9 (23)

