

Ver-tech M-60 STD Baling Press

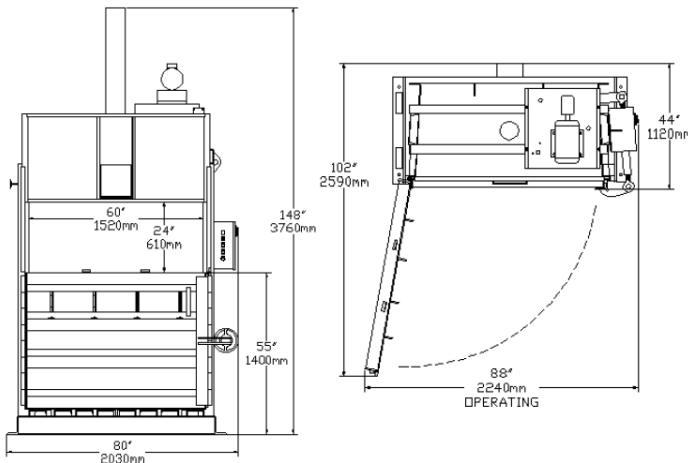
Increase the efficiency of your waste disposal operations and boost your bottom line with our M-60 STD Vertical Baler.

The M-60 STD Vertical Baler is a powerful yet economical workhorse that gives you the flexibility to bale a variety of materials with ease.

A formidable 56,550 pounds of ram pressure, combined with a fast 45 second cycle time, handles large jobs in short order.

FEATURES:

- Entire Baler ETL Listed
- Powerful 6" Cylinder with Heavy Duty Rod for Extra Long Life
- Adjustable Bale Maximizer Time for Excellent Bale Quality
- Standard Retractable Bale Dogs for Maximum Material Containment
- Standard Voltage Electrical Disconnect Included
- Full Hinge Construction on Lower Door and Latch
- Enclosed Counterbalance for Upper Door Lifting East
- Six Slots for Tying Bales
- Heavy Duty Motor and Hydraulics for Extra Long Life
- Meets or Exceeds all ANSI and OSHA Safety Standards



SPECIFICATIONS

Bale Size	30" x 60" x up to 51" (762 mm x 1,524 mm x up to 1,295 mm)
Bale Weight (corrugated)	up to 1,100 lbs. (499 kg)
Ram Pressure	56,550 lbs. (25,651 kg)
Cycle Time	45 seconds
Cylinder	6" bore (152 mm) 4" rod (102 mm) 48" stroke (1,219 mm)
Motor	10 horsepower
Pump	12 gallons per minute
Electrical Power	208/230/460 volt, 3 phase, 60 hz
Bale Eject	Hydraulic
Bale Tying	Wire or banding

DIMENSIONS

Loading Door Opening	24" x 60" (610 mm x 1,524 mm)
Unloading Door Height	55" (1,397 mm)
Overall Height	148" (3,759 mm)
Overall Depth	37" (940 mm)
Overall Width	81" (2,057 mm)
Depth with Door Open	97" (2,464 mm)
Width with Door Open	88" (2,235 mm)
Shipping Height (on side with cylinder extended)	80" (2,032 mm)
Shipping Weight	5,097 lbs. (2,312 kg)
Installation and Operating Area	62.5 square feet (5.8 square meters)

Specifications subject to change without notice.

Ver-tech Inc.

6801 Bleck Drive. Rockford, Minnesota 55373

Telephone (763) 559-2590 TOLL FREE (800) 328-3398

FAX (763) 559-1438

For more information, visit us at <http://www.ver-tech.com>

