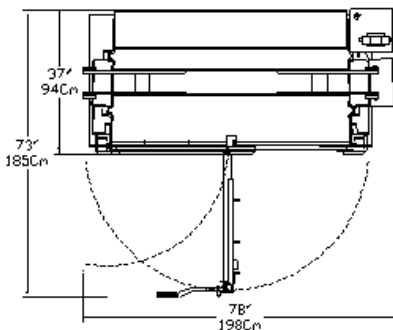
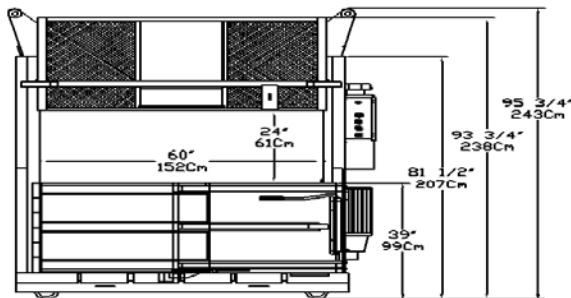


# Ver-tech Model M-60 LPSS Low Profile Hydraulic Baler

OPERATES UNDER AN 8 FOOT CEILING

## The Nation's Most Efficient 60 Inch Portable Baler

The Ver-tech Model M-60 LPSS Low Profile Space Saver hydraulic downstroke baler is engineered to produce dense mill-sized bales, despite the fact that it operates under an 8 foot ceiling and requires significantly less floor space than conventional downstroke balers. A shorter cycle time (33 seconds) and flush-to-the-wall design features make this the most efficient downstroke 60 inch baler on the market. Double safety interlocks, including both a magnetic limit switch and a photocell system, along with the elimination of all shear and pinch points, make the M-60 LPSS an extremely safe baler. The entire baler is ETL Listed. Supermarkets, department stores, and many manufacturing and warehousing operations use the M-60 LPSS to cut refuse disposal costs and generate income through recycling.



## Ver-tech M-60 LPSS Specifications

Bale Size	.30" x 60" x up to 30" High
Bale Weight - Corrugated	700-900 lbs.
Ram Pressure	.58,000 lbs.
Cylinder	Twin 4." Bore, 32" Stroke
Motor	.5 HP, 3 PH, 60 HZ, 208/230/460 Volt
Pump	Two Stage
Cycle Time	33 Seconds
Loading Door Opening	24" x 60"
Baler Size:	
Shipping Height	81.5"
Operating Height	95.75"
Loading Height	39"
Overall Depth	37"
Depth with Door Open	73"
Overall Width	78"

**SAFETY FEATURES:** Meets ANSI Z245.5 "Safety Requirements for Baling." Meets all Federal OSHA Requirements. ENTIRE BALER IS ETL LISTED.



## Ver-tech Inc.

6801 Bleck Drive. Rockford, Minnesota 55373

Telephone (763) 559-2590

TOLL FREE (800) 328-3398

FAX (763) 559-1438

For more information, visit us at <http://www.ver-tech.com>