



APOLLO

A400 APARTMENT COMPACTOR

FEATURES INCLUDE:

- 1/4" INTEGRAL MAINFRAME / HOPPER DESIGN
- 3/8" AR. FLOOR PLATE FOR LONGER LIFE
- CONTAINER SINGLE SIDE LATCH
- DUAL 3" BORE CROSS ARM CYLINDERS FOR ADDED COMPACTION AT END OF STROKE
- 80% AND 100% FULL LIGHTS WITH AUTOMATIC SHUTDOWN
- KEY ON/OFF PHOTO EYE OPERATION MANUAL FOR/REV EMERGENCY STOP POWER ON LIGHT
- MICROPROCESSOR CONTROLS WITH EASY READ OUT FOR PROGRAMMING AND TROUBLESHOOTING.



UL LISTED
CONTROL
PANEL

THE ORIGINAL MINI COMPACTOR
CONTINUALLY IMPROVED SINCE 1987

PRODUCT DATA AND RATINGS

GENERAL

COMPACTOR MODEL	APOLLO A400
CHAMBER CAPACITY - MFR	0.30 CU.YDS.
CHAMBER CAPACITY - WASTEC	0.25 CU.YDS
CHAMBER CLEAR TOP OPENING	24" x 30"
TOP OPENING	36" x 30.5"
RAM DIMENSIONS	18" x 30.5"
OVERALL DIMENSIONS	45"L x 36"W x 67"H
EST. SHIPPING WT. (INCL. POWER PACK)	1570 LBS

PERFORMANCE CHARACTERISTICS

CYCLE TIME	21 SECS.
CAPACITY PER HOUR	60 CU.YDS.
RAM PENETRATION	5"
RAM FACE PRESSURE (N) @ 1600 PSI	41 PSI
RAM FACE PRESSURE (N) @ 1800 PSI	46.5 PSI
PACKING FORCE (N) @ 1600 PSI	22,500 LBS
PACKING FORCE (N) @ 1800 PSI	25,500 LBS

STRUCTURAL CHARACTERISTICS

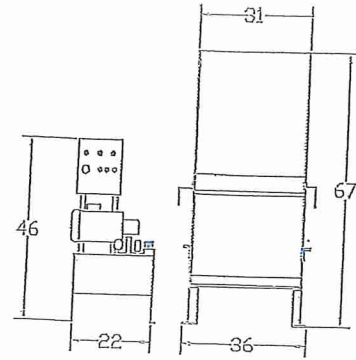
MAIN FRAME AND HOPPER	1/4" HRS PLATE
IMPACT PLATE	1/4" HRS PLATE
FLOOR PLATE	3/8" A.R. PLATE
RAM FACE PLATE	3/8" HRS PLATE

ELECTRICAL SPECIFICATIONS

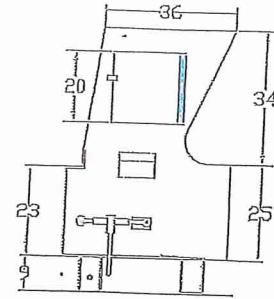
REMOTE POWER PACK DIMENSIONS	46"H x 22"W x 14"D
MOTOR	5HP
MOTOR POWER	208/230/460V, 3PH, 30 AMPS
CONTROL VOLTAGE	120VAC (24VDC OPTION)
CIRCUITS CONTROLLER	ZELIO PLC PROCESSOR
MONITORS	80% & 100% FULL
PHOTO ELECTRIC EYE	OMRON E3K
DOOR SAFETY SWITCH	TELEMECANIQUE
CONTROL PANEL	UL LISTED

HYDRAULIC SPECIFICATIONS

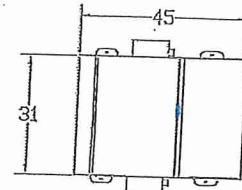
CYLINDERS	DUAL 3" BORE, 2" ROD
HYDRAULIC PUMP CAPACITY	6 GPM
OIL TANK CAPACITY	12 GALS.
OPERATING PRESSURE	1600 PSI
RELIEF PRESSURE	1800 PSI
MAXIMUM RATED PRESSURE	3000 PSI



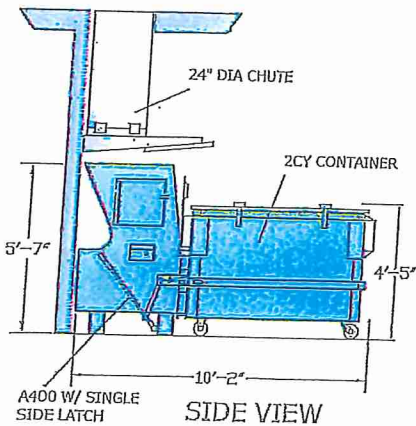
FRONT



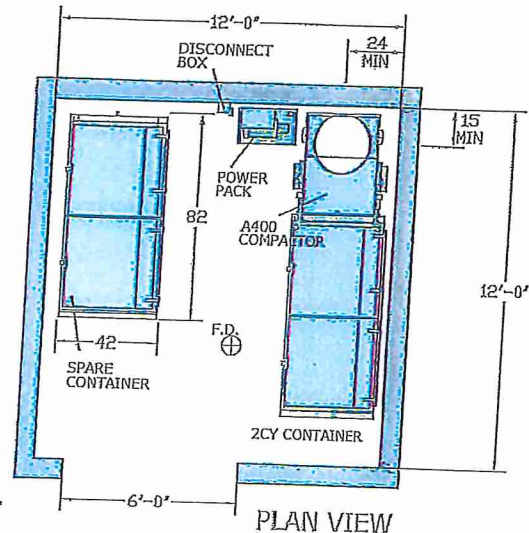
SIDE



PLAN



SIDE VIEW



PLAN VIEW

TYPICAL LAYOUT

APOLLO WELDING AND FABRICATING, INC.

35600 CURTIS BLVD, EASTLAKE, OHIO 44095

PH: 440 942 0227

FAX: 440 942 0127

apollo@apollowelding.com

www.apollowelding.com

DISTRIBUTED BY: