

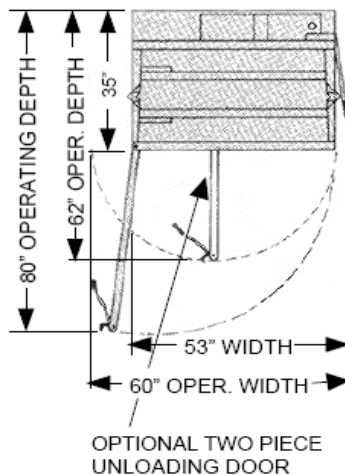
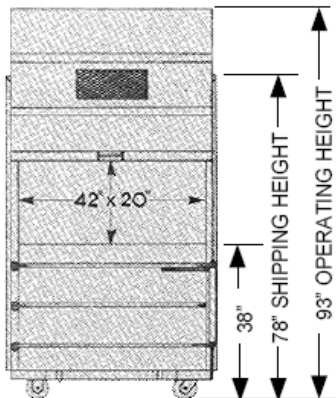
Ver-tech Model M-42 LPSS

Low Profile Baler

OPERATES UNDER AN 8 FOOT CEILING

The Nation's Most Widely Used Portable Baler

The Ver-tech Model M-42 LPSS Low Profile Space Saver hydraulic baler is engineered with the same safety and operating features of our larger balers. Double safety interlocks, including both a magnetic limit switch and a photo cell system, along with the elimination of all shear and pinch points make the M-42 LPSS an extremely safe baler. Space-saving features make it possible to place this baler where the scrap is produced. Since all baling operations are performed from the front of the machine, it may be located flush against a wall, significantly reducing the amount of floor space required. With the M-42 LPSS you can reduce refuse disposal costs and realize money through recycling. The primary market for the M-42 LPSS is retail, drug, hardware, liquor and convenience stores. Many industrial and assembly operations also use this low-cost compact portable hydraulic downstroke baler.



Ver-tech M-42 LPSS Specifications

Bale Size. 22" x 42" x Up to 30" High Bale
Weight - Corrugated. up to 175 lbs.
Ram Pressure @ 2000 PSI. 25,133 lbs.
Cylinder. 4." Diameter with 1.5" Rod, 10" Stroke
Motor2 HP, 1 PH, 60 HZ, TEFC 110/220 volt
Pump. Two Stage
Cycle Time. 12 Seconds
Loading Door Opening. 42" x 20"

Baler Size:

Shipping Height. 78"
Operating Height 93"
Loading Height 38"
Overall Depth. 35"
Depth with Door Open. 80"
Depth with Optional Two Piece Door. 62"
Width with Door Open. 48"
Operating Width. 60"

Installation and Operating Area. 33.3 Sq. Ft.

SAFETY FEATURES: Meets ANSI Z245.5 "Safety Requirements for Baling." Meets all Federal OSHA Requirements.



Ver-tech Inc.

6801 Bleck Drive. Rockford, Minnesota 55373 Telephone
(763) 559-2590 TOLL FREE (800) 328-3398

FAX (763) 559-1438

For more information, visit us at <http://www.ver-tech.com>